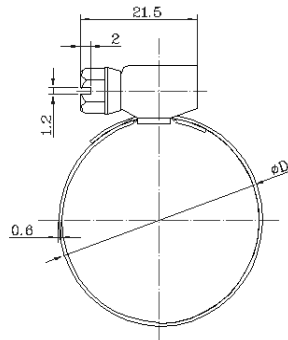


# General Purpose

# HOZU 昊洲汽配

A type



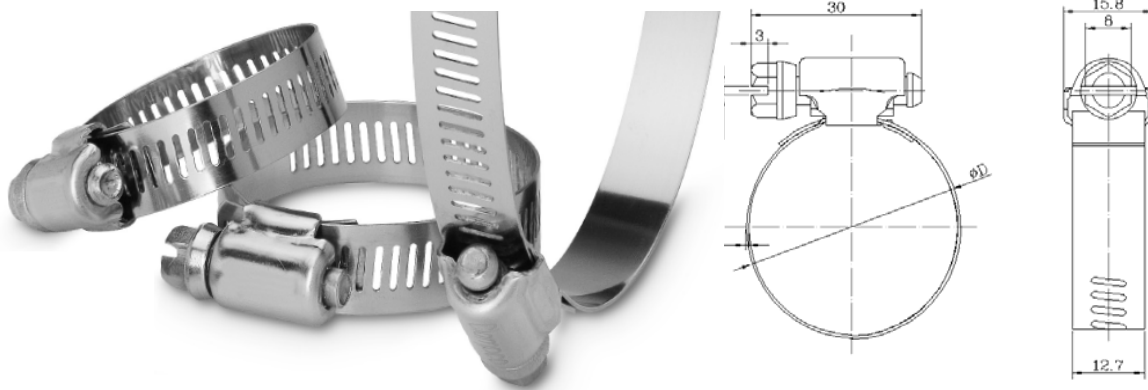
SAE Sizes	Part No.	CLAMPING RANGE				Torque N. m	pack pcs/bag	kg per 100 pcs
		inch		mm				
		Min	Max	Min	Max			
12	201 008012	5/16	15/32	8	12	2.4		
16	201 010016	13/32	5/8	10	16	2.4		
20	201 012020	1/2	25/32	12	20	3.6		
25	201 016025	21/32	31/32	16	25	3.6		
32	201 020032	25/32	1 1/4	20	32	3.6		
40	201 025040	1	1 9/16	25	40	3.6		
50	201 032050	1 1/4	1 31/32	32	50	3.6		
60	201 040060	1 19/32	2 11/32	40	60	3.6		
70	201 050070	1 31/32	2 3/4	50	70	3.6		
80	201 060080	2 3/8	3 1/8	60	80	3.6		
90	201 070090	2 3/4	3 1/2	70	90	3.6		
100	201 080100	3 1/8	3 15/16	80	100	3.6		
110	201 090110	3 9/16	4 5/16	90	110	3.6		
120	201 100120	3 15/16	4 23/32	100	120	3.6		
130	201 110130	4 5/16	5 1/8	110	130	3.6		

Want to know more specification ,please contact hozu auto parts CO,.LTD

# General Purpose

# HOZU 昊洲汽配

## B type



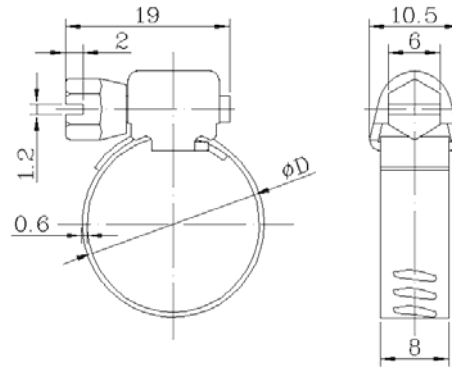
SAE Sizes	Part No.	CLAMPING RANGE				Torque N. m	pack pcs/bag	kg per 100 pcs
		inch		mm				
		Min	Max	Min	Max			
6	102 010022	3/8	7/8	10	22	6		
8	102 011025	7/16	1	11	25	6		
10	102 013027	1/2	1 1/16	13	27	6		
12	102 013032	1/2	1 1/4	13	32	6		
16	102 018038	11/16	1 1/2	18	38	6		
20	102 019044	3/4	1 3/4	19	44	6		
24	102 025051	1	2	25	51	6		
28	102 032057	1 1/4	2 1/4	32	57	6		
32	102 038063	1 1/2	2 1/2	38	63	6		
36	102 044070	1 3/4	2 3/4	44	70	6		
40	102 051076	2	3	51	76	6		
44	102 057082	2 1/4	3 1/4	57	82	6		
48	102 064089	2 1/2	3 1/2	64	89	6		
52	102 070095	2 3/4	3 3/4	70	95	6		
56	102 076101	3	4	76	101	6		
60	102 083108	3 1/4	4 1/4	83	108	6		
64	102 061114	2 1/2	4 1/2	64	114	6		
72	102 076127	3	5	76	127	6		
80	102 089140	3 1/2	5 1/2	89	140	6		
88	102 102152	4	6	102	152	6		
96	102 114165	4 1/2	6 1/2	114	165	6		
104	102 127178	5	7	127	178	6		

Want to know more specification ,please contact hozu auto parts CO.,LTD

# General Purpose

# HOZU 昊洲汽配

C type



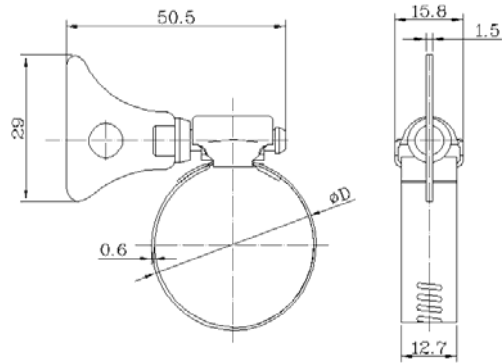
SAE Sizes	Part No.	CLAMPING RANGE				Torque N. m	pack pcs/bag	kg per 100 pcs
		inch		mm				
		Min	Max	Min	Max			
4	103 006016	1/4	5/8	6	16	2.6		
5	103 007017	1/4	11/16	7	17	2.6		
6	103 008022	5/16	7/8	8	22	2.6		
8	103 010025	3/8	1	10	25	2.6		
10	103 010027	3/8	11/16	10	27	2.6		
12	103 013032	1/2	11/4	13	32	2.6		
16	103 013038	1/2	11/2	13	38	2.6		
20	103 019044	3/4	13/4	19	44	2.6		
24	103 026051	1	2	26	51	2.6		
28	103 032057	1 1/4	2 1/4	32	57	2.6		
30	103 035060	1 3/8	2 3/8	35	60	2.6		
32	103 038063	1 1/2	2 1/2	38	63	2.6		
36	103 045070	1 3/4	2 3/4	45	70	2.6		
44	103 057082	2 1/4	3 1/4	57	82	2.6		
48	103 064089	2 1/2	3 1/2	64	89	2.6		

Want to know more specification ,please contact hozu auto parts CO.,LTD

# General Purpose

# HOZU 昊洲汽配

## Turn key clamp



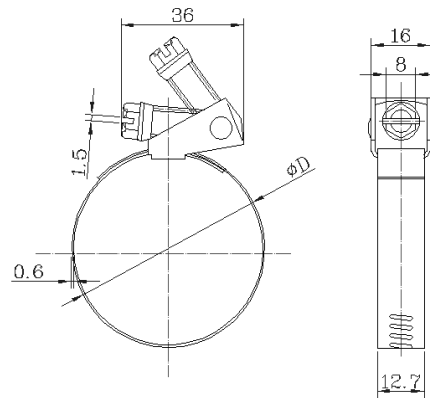
SAE Sizes	Part No.	CLAMPING RANGE				Torque N. m	pack pcs/bag	kg per 100 pcs
		inch		mm				
		Min	Max	Min	Max			
6	104 010022	3/8	7/8	10	22	6		
8	104 011025	7/16	1	11	25	6		
10	104 013027	1/2	1 1/16	13	27	6		
12	104 013032	1/2	1 1/4	13	32	6		
16	104 018038	11/16	1 1/2	18	38	6		
20	104 019044	3/4	1 3/4	19	44	6		
24	104 025051	1	2	25	51	6		
28	104 032057	1 1/4	2 1/4	32	57	6		
32	104 038063	1 1/2	2 1/2	38	63	6		
36	104 044070	1 3/4	2 3/4	44	70	6		
40	104 051076	2	3	51	76	6		
44	104 057082	2 1/4	3 1/4	57	82	6		
48	104 064089	2 1/2	3 1/2	64	89	6		
52	104 070095	2 3/4	3 3/4	70	95	6		
56	104 076101	3	4	76	101	6		
60	104 083108	3 1/4	4 1/4	83	108	6		
64	104 061114	2 1/2	4 1/2	64	114	6		
72	104 076127	3	5	76	127	6		
80	104 089140	3 1/2	5 1/2	89	140	6		
88	104 102152	4	6	102	152	6		
96	104 114165	4 1/2	6 1/2	114	165	6		
104	104 127178	5	7	127	178	6		

Want to know more specification ,please contact hozu auto parts CO,.LTD

# General Purpose

# HOZU 昊洲汽配

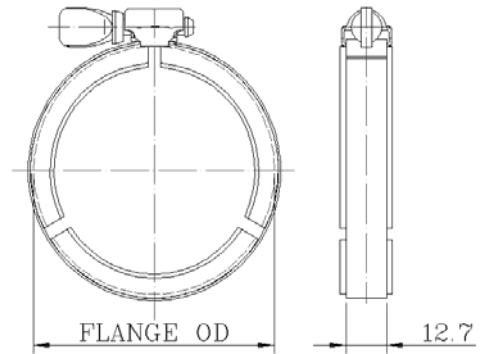
Quick release clamp



SAE Sizes	Part No.	CLAMPING RANGE				Torque N. m	pack pcs/bag	kg per 100 pcs
		inch		mm				
		Min	Max	Min	Max			
12	105 013032	1/2	1 1/4	13	32			
20	105 019044	3/4	1 3/4	19	44			
24	105 026051	1	2	26	51			
28	105 026057	1	2 1/4	26	57			
36	105 026070	1	2 3/4	26	70			
48	105 038089	1 1/2	3 1/2	38	89			
56	105 026101	1	4	26	101			
72	105 051127	2	5	51	127			
88	105 051152	2	6	51	152			
104	105 045178	1 3/4	7	45	178			
116	105 045197	1 3/4	7 3/4	45	197			
128	105 055216	2 1/4	8 1/2	55	216			
136	105 045228	1 3/4	9	45	228			
152	105 051254	2	10	51	254			
188	105 051311	2	12 1/4	51	311			

Want to know more specification ,please contact hozu auto parts CO.,LTD

## Worm drive V-band clamp



## Custom requirements

we can according to custom requirement to make products. The series clamp can be widely used in various kind of industry such as dairy industry equipment、agriculture irrigation etc.

---

Want to know more specification ,please contact hozu auto parts CO,.LTD

---